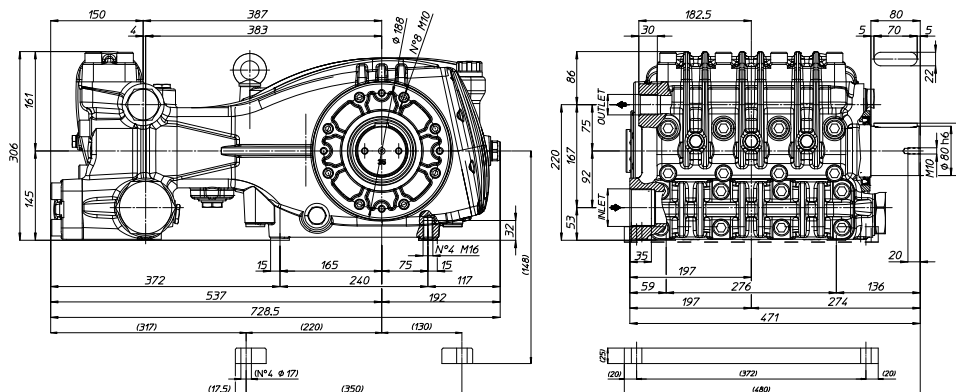


RPM	CODICE CODE	MODELLO MODEL	PORTATA FLOW				PRESSIONE PRESSURE		POTENZA POWER		PESO WEIGHT	PRESA DI FORZA SHAFT TYPE
			NOM.				bar	PSI	HP	kW		
			l/min	GPM	l/min	GPM					Kg	
800	310500	HX-A 135/300 R	135.1	35.7	124.5	32.9	300	4350	95.8	71.4	162.0	R - Albero MASCHIO 80 mm DX R - MALE Shaft 80 mm RIGHT
	310400	HX-A 160/240 R	171.0	45.2	162.5	42.9	240	3480	100.0	74.5	162.0	
	310300	HX-A 200/200 R	211.1	55.8	206.0	54.4	200	2900	105.7	78.8	162.0	
	310200	HX-A 250/160 R	267.2	70.6	260.0	68.7	160	2320	106.8	79.6	162.0	
	310100	HX-A 310/130 R	330.0	87.2	232.3	85.4	130	1885	107.8	80.4	162.0	
	310000	HX-A 400/100 R	400.0	105.7	395.1	104.4	100	1450	101.3	75.5	162.0	

Tutti i modelli di Pompe sono disponibili con Presa di Forza Sinistra. Nel Modello compare "L". Esempio : HX-A 135/300 L

All models of PUMPS are available with Left P.T.O. Shaft. Descriptions mention "L". For example : HX-A 135/300 L

Dimensioni d'ingombro (mm) - Overall Dimensions (mm)



	INLET	OUTLET
135/300 R	G 2"	G 1"
160/240 R	G 2"	G 1"
200/200 R	G 2"	G 1"

	INLET	OUTLET
250/160 R	G 2" 1/2	G 1" 1/4
310/130 R	G 2" 1/2	G 1" 1/4
400/100 R	G 2" 1/2	G 1" 1/4