

ZETA 230 ZETA 260 ZETA 300

ZETA 230
ZETA 260
ZETA 300

Max.: 228 l/min - 61 GPM · 20 bar - 290 PSI · 550 RPM Max.: 256 l/min - 68 GPM · 20 bar - 290 PSI · 550 RPM Max.: 295 l/min - 78 GPM · 20 bar - 290 PSI · 550 RPM

TS 2C ZETA 230 cod. 849900
ZETA 260 cod. 849800
ZETA 300 cod. 849600

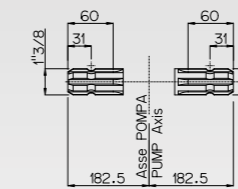


Membrane **GREENTECH** di serie
GREENTECH diaphragm as standard
cod. 090361

| MOD. | RPM | 0 bar / 0 PSI | | | | 5 bar / 72 PSI | | | | 10 bar / 145 PSI | | | | 15 bar / 217 PSI | | | | 20 bar / 290 PSI | | | | Peso Weight | |
|----------|-----|----------------------|------|------------------|-----|----------------------|------|------------------|-----|----------------------|------|------------------|-----|----------------------|------|------------------|-----|----------------------|------|------------------|------|----------------|------|
| | | Portata Flow rate | | Potenza Power | | Portata Flow rate | | Potenza Power | | Portata Flow rate | | Potenza Power | | Portata Flow rate | | Potenza Power | | Portata Flow rate | | Potenza Power | | | |
| | | l/min | GPM | HP | kW | l/min | GPM | HP | kW | l/min | GPM | HP | kW | l/min | GPM | HP | kW | l/min | GPM | HP | kW | Kg | lb |
| ZETA 230 | 400 | 169.5 | 44.8 | 1.7 | 1.2 | 164.1 | 43.4 | 2.1 | 1.5 | 162.8 | 43.0 | 4.2 | 3.1 | 161.6 | 42.7 | 6.2 | 4.6 | 160.5 | 42.4 | 8.2 | 6.0 | 36.0 | 79.4 |
| | 450 | 189.0 | 49.9 | 1.9 | 1.4 | 183.6 | 48.5 | 2.4 | 1.7 | 182.3 | 48.2 | 4.7 | 3.4 | 181.1 | 47.8 | 7.0 | 5.1 | 180.0 | 47.6 | 9.2 | 6.8 | | |
| | 500 | 208.5 | 55.1 | 2.1 | 1.5 | 203.1 | 53.7 | 2.6 | 1.9 | 201.6 | 53.3 | 5.2 | 3.8 | 200.6 | 53.0 | 7.7 | 5.7 | 199.5 | 52.7 | 10.2 | 7.5 | | |
| | 550 | 228.0 | 61.0 | 2.3 | 1.7 | 222.6 | 58.8 | 2.9 | 2.1 | 221.3 | 58.5 | 5.7 | 4.2 | 220.1 | 58.2 | 8.5 | 6.2 | 219.0 | 57.9 | 11.2 | 8.3 | | |
| ZETA 260 | 400 | 190.9 | 50.4 | 1.9 | 1.4 | 185.5 | 49.0 | 2.4 | 1.7 | 184.2 | 48.7 | 4.7 | 3.5 | 183.0 | 48.3 | 7.0 | 5.2 | 181.9 | 48.1 | 9.3 | 6.9 | 36.0 | 79.4 |
| | 450 | 212.6 | 56.2 | 2.1 | 1.6 | 207.2 | 54.7 | 2.7 | 2.0 | 205.9 | 54.4 | 5.3 | 3.9 | 204.7 | 54.1 | 7.9 | 5.8 | 203.6 | 53.8 | 10.4 | 7.7 | | |
| | 500 | 234.3 | 61.9 | 2.3 | 1.7 | 228.9 | 60.5 | 2.9 | 2.2 | 227.6 | 60.1 | 5.8 | 4.3 | 226.4 | 59.8 | 8.7 | 6.4 | 225.3 | 59.5 | 11.6 | 8.5 | | |
| | 550 | 256.0 | 68.0 | 2.6 | 1.9 | 250.6 | 66.2 | 3.2 | 2.4 | 249.3 | 65.9 | 6.4 | 4.7 | 248.1 | 65.5 | 9.5 | 7.0 | 247.0 | 65.3 | 12.7 | 9.3 | | |
| ZETA 300 | 400 | 215.5 | 56.9 | 2.2 | 1.6 | 213.3 | 56.4 | 2.7 | 2.0 | 212.2 | 56.1 | 5.4 | 4.0 | 211.1 | 55.8 | 8.1 | 6.0 | 210.0 | 55.5 | 10.8 | 7.9 | 37.0 | 81.6 |
| | 450 | 242.0 | 63.9 | 2.4 | 1.8 | 239.3 | 63.2 | 3.1 | 2.3 | 238.2 | 62.9 | 6.1 | 4.5 | 237.1 | 62.6 | 9.1 | 6.7 | 236.0 | 62.4 | 12.1 | 8.9 | | |
| | 500 | 268.5 | 70.9 | 2.7 | 2.0 | 265.3 | 70.1 | 3.4 | 2.5 | 264.2 | 69.8 | 6.8 | 5.0 | 263.1 | 69.5 | 10.1 | 7.4 | 262.0 | 69.2 | 13.4 | 9.9 | | |
| | 550 | 295.0 | 78.0 | 3.0 | 2.2 | 291.3 | 77.0 | 3.7 | 2.7 | 290.2 | 76.7 | 7.4 | 5.5 | 289.1 | 76.4 | 11.1 | 8.2 | 288.0 | 76.1 | 14.8 | 10.9 | | |

Versioni Versions

TS 2C ZETA 230 cod. 849900 - ZETA 260 cod. 849800
ZETA 300 cod. 849600



Applicazioni Shaft adaptors

Applicazioni motori
idraulici
Shaft adaptors for
hydraulic motor



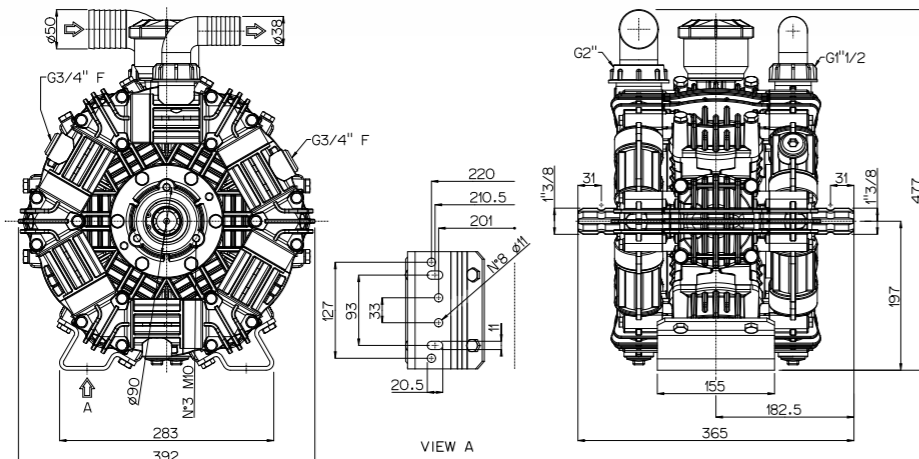
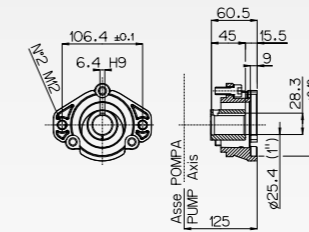
MI Δ
vedi pag 92 see page 92

Moltiplicatore
Multiplier



MTP 381 Δ
vedi pag 90 see page 90

MI-1" ZETA 230 cod. 841500 - ZETA 260 cod. 844100
ZETA 300 cod. 841000



Gruppi regolazione pressione *Pressure control units*

VRG 400



vedi pag. 82 see page 82