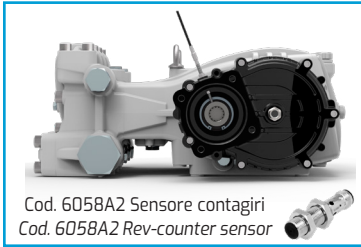
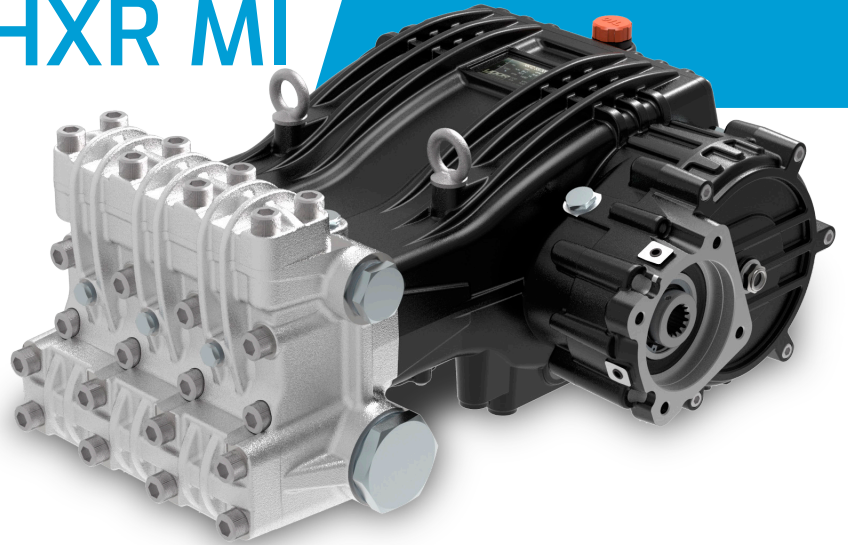
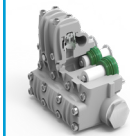




HXR MI



Cod. 6058A2 Sensore contagiri
Cod. 6058A2 Rev-counter sensor



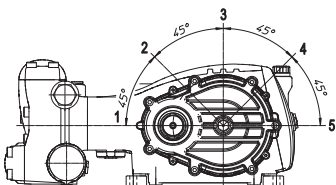
A richiesta, alcuni modelli HX sono disponibili con speciali tenute (GW) per acqua riciclata.

Upon request, some HX models are available with special seals (GW) for grey/recycled water.

RPM	CODICE CODE	MODELLO MODEL	PORTATA FLOW				PRESSIONE PRESSURE		POTENZA POWER		PESO WEIGHT	PRESA DI FORZA SHAFT TYPE
			NOM.				bar	PSI	HP	kW		
			l/min	GPM	l/min	GPM						
1500	318500	HXR1-C 135/300 R MI	135.1	35.7	124.5	32.9	300	4350	95.8	71.4	182.0	R MI - Albero 14T 12/24 DP SAE C - DX R MI - Shaft 14T 12/24 DP SAE C - RIGHT
	318600	HXR1-C 160/240 R MI	171.0	45.2	162.5	42.9	240	3480	100.0	74.5	182.0	
	830008	HXR1-C 210/200 R MI	211.1	55.8	206.0	54.4	200	2900	105.7	78.8	182.0	
	830019	HXR1-C 270/160 R MI	267.2	70.6	260.0	68.7	160	2320	106.8	79.6	182.0	
	318800	HXR1-C 330/130 R MI	330.0	87.2	326.0	86.1	130	1885	108.7	81.1	182.0	
	318900	HXR1-C 400/100 R MI	400.0	105.7	395.1	104.4	100	1450	101.3	75.5	182.0	
1800	319000	HXR1-D 135/300 R MI	135.1	35.7	124.5	32.9	300	4350	95.8	71.4	182.0	
	319100	HXR1-D 160/240 R MI	171.0	45.2	162.5	42.9	240	3480	100.0	74.5	182.0	
	830010	HXR1-D 210/200 R MI	211.1	55.8	206.0	54.4	200	2900	105.7	78.8	182.0	
	830021	HXR1-D 270/160 R MI	267.2	70.6	260.0	68.7	160	2320	106.8	79.6	182.0	
	319300	HXR1-D 330/130 R MI	330.0	87.2	326.0	86.1	130	1885	108.7	81.1	182.0	
	319400	HXR1-D 400/100 R MI	400.0	105.7	395.1	104.4	100	1450	101.3	75.5	182.0	
2200	319500	HXR1-M 135/300 R MI	135.1	35.7	124.5	32.9	300	4350	95.8	71.4	182.0	
	319600	HXR1-M 160/240 R MI	171.0	45.2	162.5	42.9	240	3480	100.0	74.5	182.0	
	830012	HXR1-M 210/200 R MI	211.1	55.8	206.0	54.4	200	2900	105.7	78.8	182.0	
	830023	HXR1-M 270/160 R MI	267.2	70.6	260.0	68.7	160	2320	106.8	79.6	182.0	
	319900	HXR1-M 330/130 R MI	330.0	87.2	326.0	86.1	130	1885	108.7	81.1	182.0	
	315800	HXR1-M 400/100 R MI	400.0	105.7	395.1	104.4	100	1450	101.3	75.5	182.0	

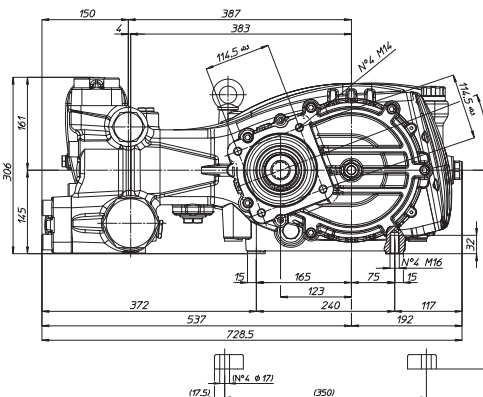
Tutti i modelli di POMPE sono disponibili con Presa di Forza Sinistra (L). Esempio: HXR1-C 135/300 L MI
All models of PUMPS are available with Left P.T.O. Shaft (L). Example: HXR1-C 135/300 L MI

Dimensioni d'ingombro (mm) - Overall Dimensions (mm)

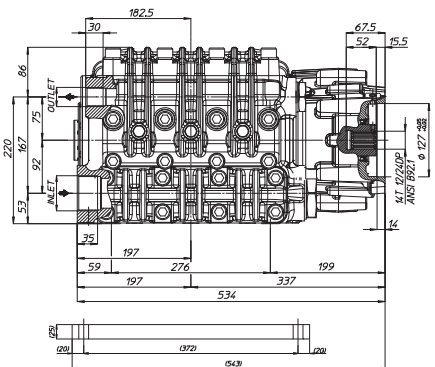


In base alle esigenze dell'installatore, il Riduttore può essere installato nelle cinque posizioni 1,2,3,4,5 come illustrato.
Esempio d'ordine: HXR1-C 135/300 R diventa HXR2-C 135/300 R.
Per informazione su prezzi e codici per favore contattare l'azienda.

Depending on specific needs, the Gearbox can be mounted in five different Positions 1,2,3,4,5 as shown in the following picture.
For example: HXR1-C 135/300 R becomes HXR2-C 135/300 R.
For price and code information please contact us.



	INLET	OUTLET
135/300 R MI	G 2"	G 1"
160/240 R MI	G 2"	G 1"



	INLET	OUTLET
210/200 R MI	G 2" 1/2	G 1" 1/4
270/160 R MI	G 2" 1/2	G 1" 1/4
330/130 R MI	G 2" 1/2	G 1" 1/4
400/100 R MI	G 2" 1/2	G 1" 1/4