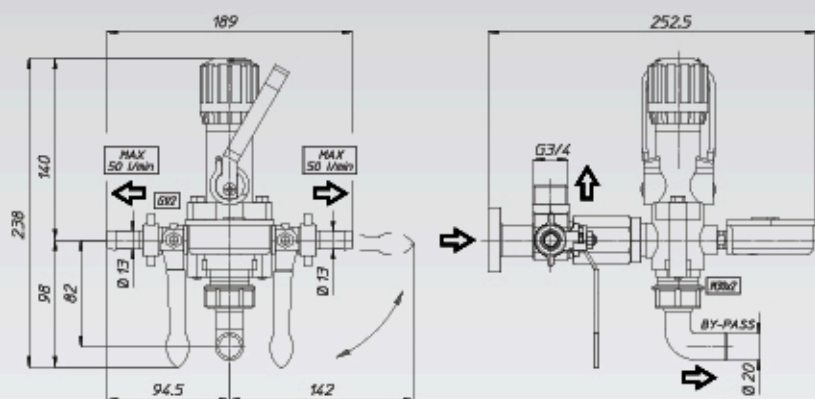


HF

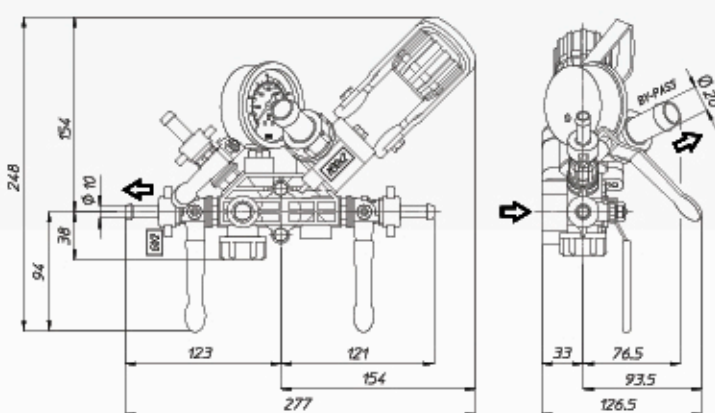
120 l/min - 32 GPM · 40 bar - 580 PSI



Modello Model	Codice Part Number	N° Mandate Nr. of Outlets	Raccordo Hose barb			Modello pompa suggerito Suggested pump model
			Mandata Out	Scarico Bypass		
HF	600562	3	G 3/4" 2 x 13mm	20 mm		KAPPA 53 / KAPPA 55 - 65 DELTA 75 / DELTA 100 / DELTA 125

ZX

120 l/min - 32 GPM · 20/40/50/60 bar - 290/580/725/870 PSI



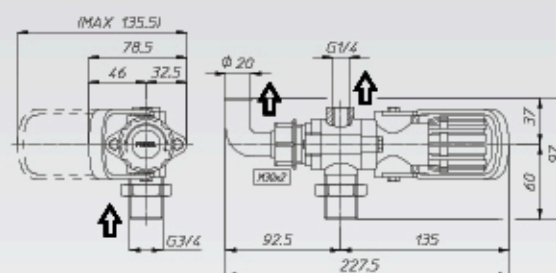
Modello Model	Codice Part Number	N° Mandate Nr. of Outlets	Raccordo Hose barb			Modello pompa suggerito Suggested pump model
			Entrata In	Mandata Out	Scarico Bypass	
ZX3/20	600403	3	19 mm	10 mm	25 mm	ZETA-P 40 / ZETA 70 / ZETA 85 ZETA 100 / ZETA 120 - 140 KAPPA 25-32 / KAPPA 33-43- 53 KAPPA 55-65 / DELTA 40 - 50 DELTA 75 / DELTA 100 / DELTA 125 DELTA 130 / OMEGA 135 BETA 110-170 / GAMMA 62 GAMMA 85-105 / GAMMA 125
ZX3/40	600406	3	19 mm	10 mm	25 mm	
ZX3/50	600409	3	19 mm	10 mm	25 mm	
ZX3/60	600412	3	19 mm	10 mm	25 mm	
ZX4/20	600404	4	19 mm	10 mm	25 mm	
ZX4/40	600407	4	19 mm	10 mm	25 mm	
ZX4/50	600410	4	19 mm	10 mm	25 mm	
ZX4/60	600413	4	19 mm	10 mm	25 mm	

VRG 100 - 150 - 250

VRG 100 100 l/min - 24.4 GPM · 50 bar - 725 PSI
VRG 150 150 l/min - 40 GPM · 80 bar - 1200 PSI
VRG 250 250 l/min - 66 GPM · 80 bar - 1200 PSI



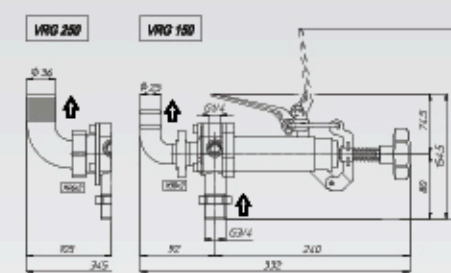
VRG 100



VRG 150



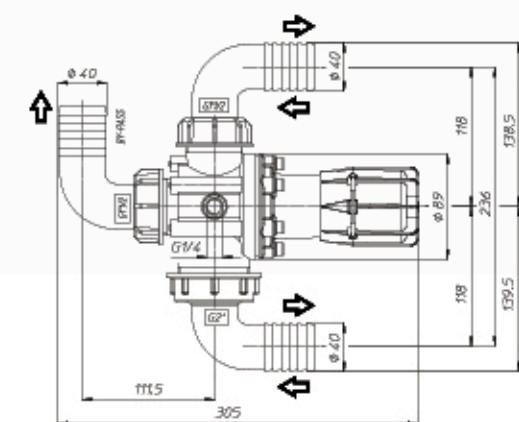
VRG 250



Modello Model	Codice Part Number	N° Mandate Nr. of Outlets	Raccordo Hose barb		Manometro Manometer	Modello pompa suggerito Suggested pump model
			Mandata Out			
VRG 100	600531	1	20 mm		-	GAMMA 62 870410
VRG 150	600518	1	25 mm		40 bar / 580 PSI	DELTA 125 / OMEGA 135
					50 bar / 725 PSI	DELTA 140 / DELTA 160 / OMEGA 139 OMEGA 170 / BETA-S 135 / BETA 110 BETA 150
VRG 250	600514	1	36 mm		60 bar / 870 PSI	GAMMA 85 / GAMMA 105 770428
					50 bar / 725 PSI	BETA 200 / BETA 240 / GAMMA 242
					60 bar / 870 PSI	GAMMA 155 / GAMMA 162 / GAMMA 202 770428

VRG 400

400 l/min - 106 GPM · 20 bar - 290 PSI



Modello Model	Codice Part Number	N° Mandate Nr. of Outlets	Raccordo Hose barb			Modello pompa suggerito Suggested pump model
			Entrata In	Mandata Out	Scarico Bypass	
VRG 400	063661	1	G2"	G 1 1/2	G 1 1/2	ZETA 170-200 / ZETA 230-260-300 ZETA 350-400