

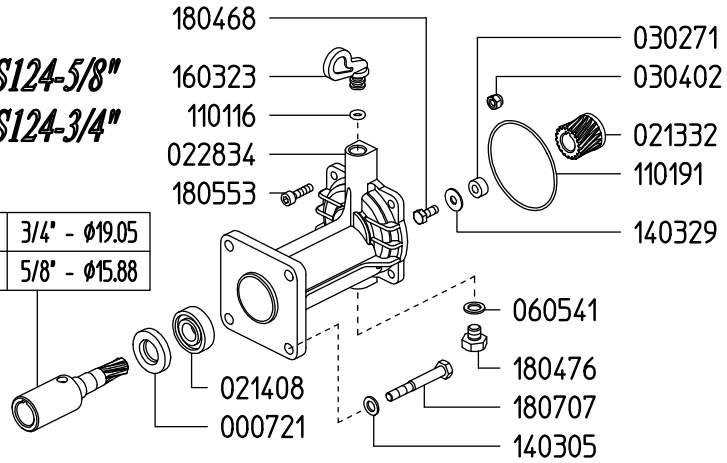


Serie / Series
RIDUTTORI
GEAR REDUCTIONS

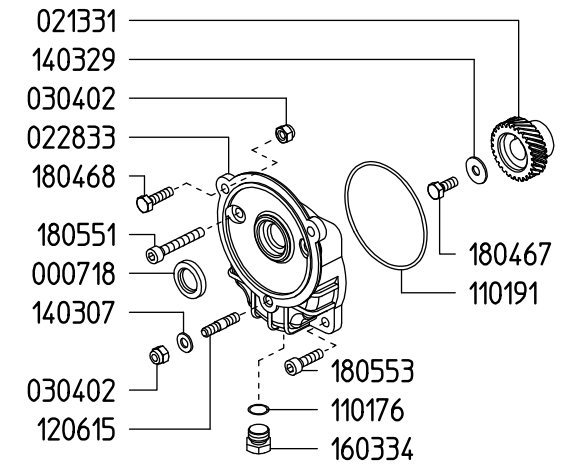
5049E1	S124-15HP
5050E2	S124 5/8"
5065D9	S124 5/8"Q
5047D7	S124 3/4"
5046D0	S135
501432	S162

S124-5/8"
S124-3/4"

000419	3/4" - ϕ 19.05
000424	5/8" - ϕ 15.88

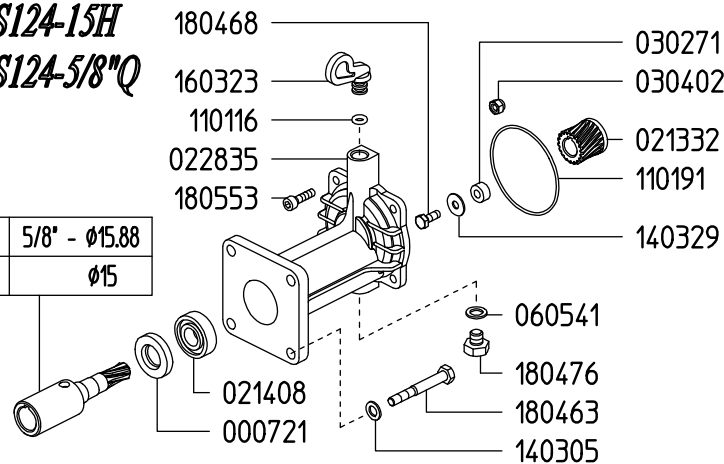


S135



S124-15H
S124-5/8"Q

000424	5/8" - ϕ 15.88
000433	ϕ 15



S162

