

# KAPPA 33      KAPPA 43      KAPPA 53

max. 33 l/min - 9 GPM · 40 bar - 580 PSI · 550 RPM

max. 46 l/min - 13 GPM · 40 bar - 580 PSI · 550 RPM

max. 55 l/min - 15 GPM · 40 bar - 580 PSI · 550 RPM

**1C** KAPPA 33 cod. 840600  
KAPPA 43 cod. 841100  
KAPPA 53 cod. 841600



## Accessori Accessories



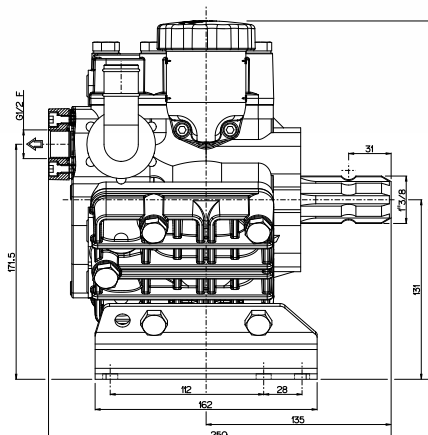
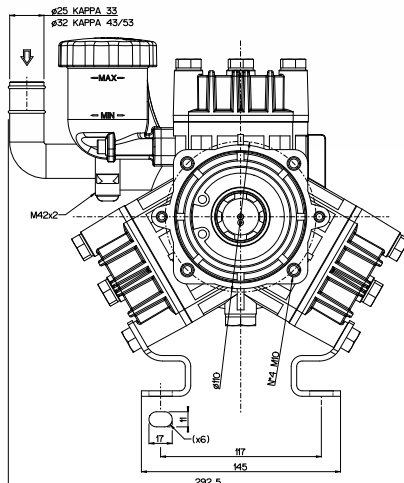
Versione comando lato pompa\*\*  
Pump outlet kit\*\*  
cod. 870407

\* Gratis se ordinato con pompa / *FOC if purchased with pump*  
\*\* Necessario per pompe senza gruppo regolazione montato / *Necessary for pumps without control unit mounted on*



Membrane **GREENTECH** di serie  
**GREENTECH** diaphragm as standard  
cod. 090315

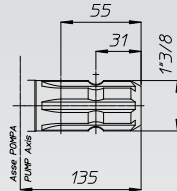
MOD.	RPM	0 bar / 0 PSI				10 bar / 145 PSI				20 bar / 290 PSI				30 bar / 435 PSI				40 bar / 580 PSI				Peso Weight	
		Portata Flow rate		Potenza Power		Portata Flow rate		Potenza Power		Portata Flow rate		Potenza Power		Portata Flow rate		Potenza Power		Portata Flow rate		Potenza Power			
		l/min	GPM	HP	kW	l/min	GPM	HP	kW	l/min	GPM	HP	kW	l/min	GPM	HP	kW	l/min	GPM	HP	kW	Kg	lb
KAPPA 33	400	24.1	6.4	0.2	0.2	21.9	5.8	0.6	0.5	21.3	5.6	1.1	0.8	20.9	5.5	1.6	1.2	20.5	5.4	2.1	1.5	11.0	24.3
	450	27.0	7.1	0.3	0.2	24.7	6.5	0.7	0.5	24.1	6.4	1.3	0.9	23.7	6.3	1.8	1.4	23.3	6.2	2.4	1.8		
	500	29.8	7.9	0.3	0.2	27.5	7.3	0.8	0.6	26.9	7.1	1.4	1.0	26.5	7.0	2.1	1.5	26.1	6.9	2.7	2.0		
	550	33.0	9.0	0.3	0.2	30.2	8.0	0.9	0.6	29.6	7.8	1.6	1.1	29.2	7.7	2.3	1.7	28.8	7.6	3.0	2.2		
KAPPA 43	400	33.7	8.9	0.3	0.2	31.8	8.4	0.9	0.7	31.4	8.3	1.7	1.2	31.1	8.2	2.4	1.8	30.8	8.1	3.2	2.3	11.0	24.3
	450	38.0	10.0	0.4	0.3	36.0	9.5	1.0	0.8	35.6	9.4	1.9	1.4	35.3	9.3	2.7	2.0	35.0	9.2	3.6	2.6		
	500	42.2	11.1	0.4	0.3	40.1	10.6	1.1	0.8	39.7	10.5	2.1	1.5	39.4	10.4	3.1	2.3	39.1	10.3	4.0	2.9		
	550	46.0	13.0	0.5	0.3	43.5	11.5	1.2	0.9	43.1	11.4	2.3	1.7	42.7	11.3	3.3	2.4	42.3	11.2	4.3	3.2		
KAPPA 53	400	40.2	10.6	0.4	0.3	38.2	10.1	1.1	0.8	37.8	10.0	2.0	1.5	37.4	9.9	2.9	2.1	37.0	9.8	3.8	2.8	11.0	24.3
	450	45.0	11.9	0.4	0.3	42.9	11.3	1.2	0.9	42.4	11.2	2.2	1.6	42.0	11.1	3.3	2.4	41.6	11.0	4.3	3.1		
	500	49.7	13.1	0.5	0.4	47.5	12.5	1.4	1.0	47.0	12.4	2.5	1.8	46.6	12.3	3.6	2.7	46.2	12.2	4.7	3.5		
	550	55.0	15.0	0.5	0.4	52.4	13.8	1.5	1.1	51.9	13.7	2.7	2.0	51.4	13.6	4.0	2.9	50.8	13.4	5.2	3.8		



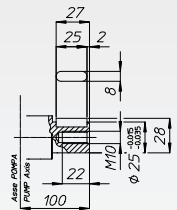
Versioni Versions

Applicazioni Shaft adaptors

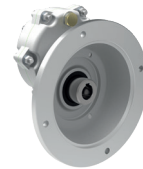
**1C** KAPPA 33 cod. 840600 - KAPPA 43 cod. 841100  
KAPPA 53 cod. 841600



**GR** KAPPA 33 cod. 840700 - KAPPA 43 cod. 841200  
KAPPA 53 cod. 841700



Riduttore per motore elettrico  
Gear reduction for electric motors



E 127  
vedi pag 92 see page 92

Riduttore per motore a scoppio  
Gear reduction for gasoline/diesel engine



S 160

vedi pag 89 see page 89



M164

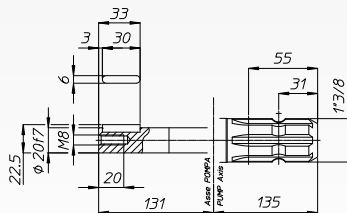
Applicazioni motori idraulici  
Hydraulic motor connections



MI

vedi pag 95 see page 95

**TS 1C** KAPPA 43 cod. 841400 - KAPPA 53 cod. 841900



Gruppi regolazione pressione Pressure control units

vedi pag 80 see page 80

**DL**

**DS**

**ZX**

