

DELTA 140

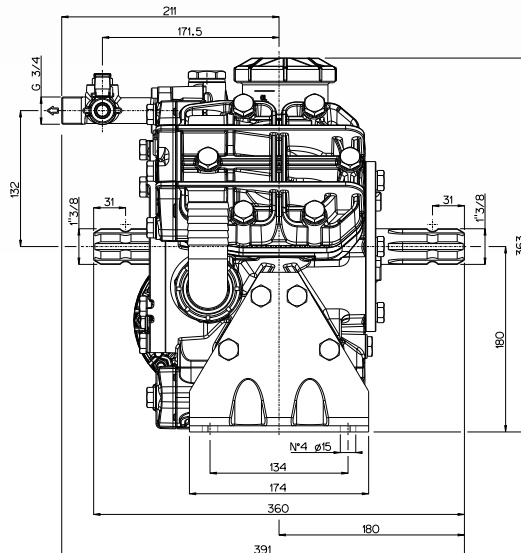
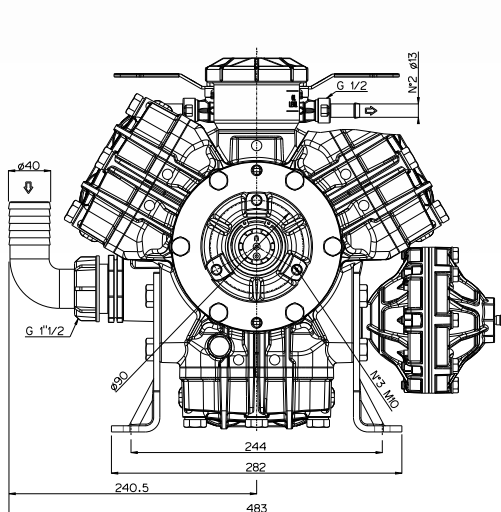
max. 138 l/min - 36,4 GPM · 50 bar - 725 PSI · 550 RPM

TS 2C DELTA 140 cod. 821300



Membrane **GREENTECH** di serie
GREENTECH diaphragm as standard
cod. 090361

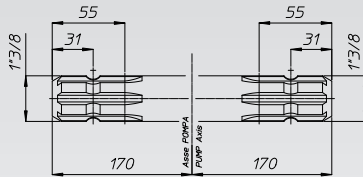
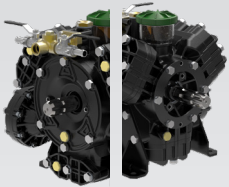
RPM	0 bar / 0 PSI				20 bar / 290 PSI				30 bar / 435 PSI				40 bar / 580 PSI				50 bar / 725 PSI				Peso Weight	
	Portata Flow rate		Potenza Power		Portata Flow rate		Potenza Power		Portata Flow rate		Potenza Power		Portata Flow rate		Potenza Power		Portata Flow rate		Potenza Power			
	l/min	GPM	HP	kW	l/min	GPM	HP	kW	l/min	GPM	HP	kW	l/min	GPM	HP	kW	l/min	GPM	HP	kW		
400	102.4	27.1	1.0	0.7	99.1	26.2	5.2	3.9	98.0	25.9	7.6	5.6	96.9	25.6	10.0	7.3	95.9	25.3	12.4	9.1	36.0	79.3
450	114.3	30.2	1.1	0.8	110.7	29.2	5.8	4.3	109.6	28.9	8.5	6.3	108.4	28.7	11.1	8.2	107.4	28.4	13.8	10.1		
500	127.6	33.7	1.2	0.9	121.9	32.2	6.2	4.6	120.8	31.9	9.2	6.9	119.7	31.6	12.0	8.9	118.7	31.4	14.9	11.0		
550	137.8	36.4	1.4	1.0	133.0	35.1	6.7	5.0	131.9	34.8	9.8	7.3	130.8	34.6	12.9	9.5	129.8	34.3	16.0	11.7		



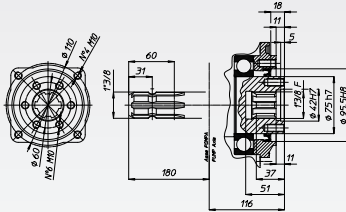
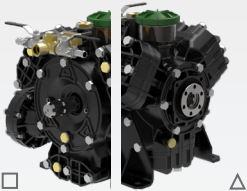
Versioni Versions

Applicazioni Shaft adaptors

TS 2C cod. 821300



TS MFVA cod. 821400



Riduttore per motore a scoppio
Gear reduction for gasoline/diesel engine

Applicazioni motori idraulici
Hydraulic motor connections



M162 △
vedi pag 89 see page 89

MI △
vedi pag 94 see page 94

Gruppi regolazione pressione Pressure control units

vedi pag 80 see page 80

ZX

VRG 155

UHP

