

# OMEGA 170

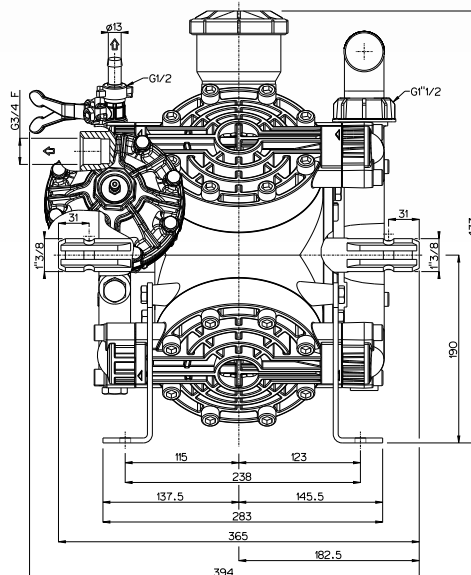
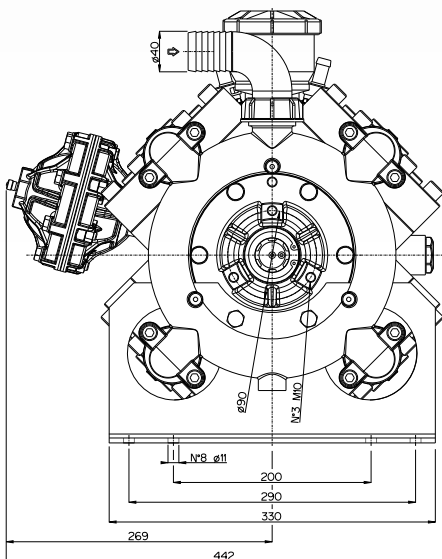
max. 177 l/min - 47 GPM · 50 bar - 725 PSI · 550 RPM

**TS 2C** OMEGA 170 cod. 844900



Membrane **GREENTECH** di serie  
**GREENTECH** diaphragm as standard  
cod. 090362

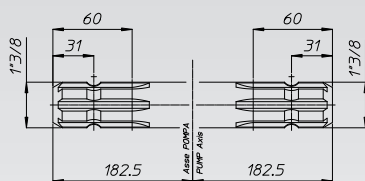
RPM	0 bar / 0 PSI				20 bar / 290 PSI				30 bar / 435 PSI				40 bar / 580 PSI				50 bar / 725 PSI				Peso Weight	
	Portata Flow rate		Potenza Power		Portata Flow rate		Potenza Power		Portata Flow rate		Potenza Power		Portata Flow rate		Potenza Power		Portata Flow rate		Potenza Power			
	l/min	GPM	HP	kW	l/min	GPM	HP	kW	l/min	GPM	HP	kW	l/min	GPM	HP	kW	l/min	GPM	HP	kW		
<b>400</b>	134.3	35.5	1.3	1.0	130.7	34.5	6.9	5.1	130.3	34.3	10.1	7.4	129.3	34.2	13.3	9.7	128.6	34.0	16.5	12.1	46.0	101.4
<b>450</b>	150.5	39.8	1.5	1.1	146.2	38.6	7.7	5.7	145.3	38.4	11.3	8.3	144.4	38.2	14.8	10.9	143.5	37.9	18.4	13.5		
<b>500</b>	164.8	43.5	1.6	1.2	158.5	41.9	8.3	6.1	157.4	41.6	12.3	9.0	156.3	41.3	16.0	11.8	155.2	41.0	19.9	14.6		
<b>550</b>	177.0	47.0	1.8	1.3	169.9	44.9	8.9	6.6	168.6	44.5	13.1	9.7	167.3	44.2	17.2	12.6	166.0	43.9	21.3	15.6		



# OMEGA 170

## Versioni Versions

**TS 2C** cod. 844900



## Applicazioni Shaft adaptors

Applicazioni motori  
idraulici  
Shaft adaptors for  
hydraulic motor



MI  $\Delta$   
vedi pag 94 see page 94

## Gruppi regolazione pressione Pressure control units

vedi pag 80 see page 80

**VRG 255**

**UHP**

