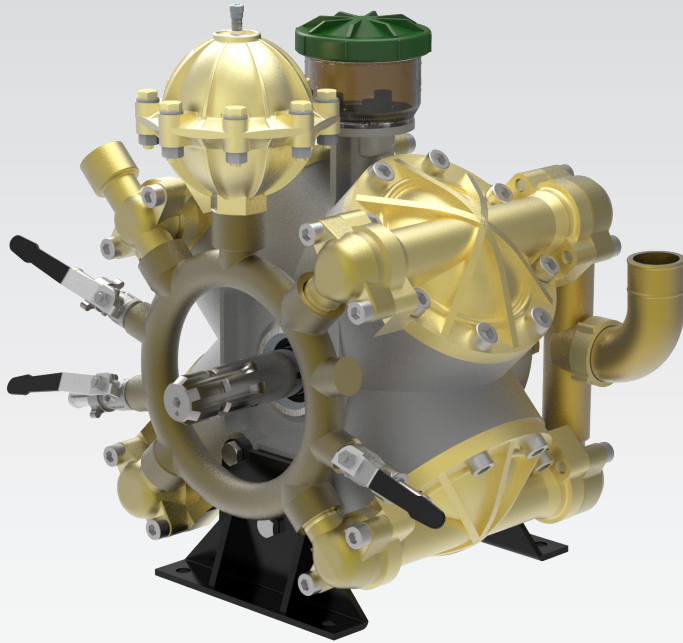


# BETA 170

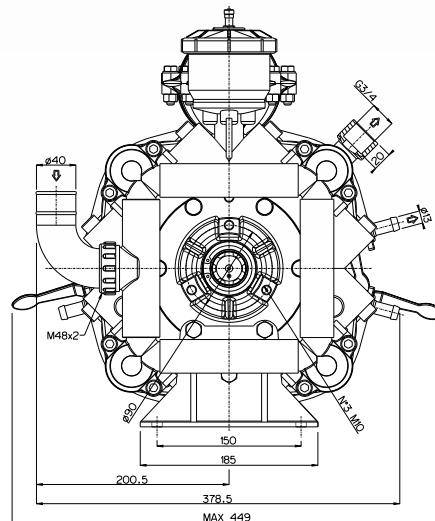
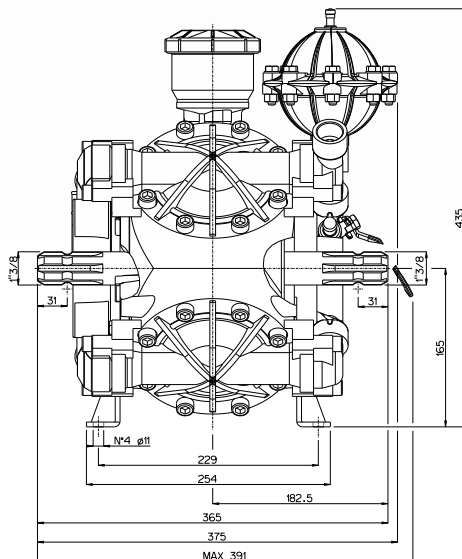
max. 170 l/min - 45 GPM · 50 bar - 725 PSI · 550 RPM

**TS 2C** BETA 170 cod. 822200



Membrane **GREENTECH** di serie  
**GREENTECH** diaphragm as standard  
cod. 090362

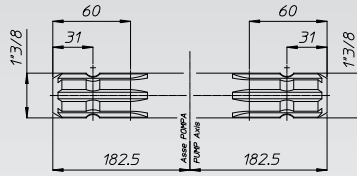
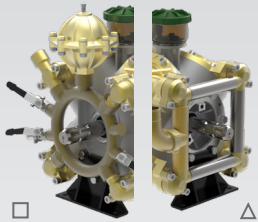
RPM	0 bar / 0 PSI				20 bar / 290 PSI				30 bar / 435 PSI				40 bar / 580 PSI				50 bar / 725 PSI				Peso Weight	
	Portata Flow rate		Potenza Power		Portata Flow rate		Potenza Power		Portata Flow rate		Potenza Power		Portata Flow rate		Potenza Power		Portata Flow rate		Potenza Power			
	l/min	GPM	HP	kW	l/min	GPM	HP	kW	l/min	GPM	HP	kW	l/min	GPM	HP	kW	l/min	GPM	HP	kW		
<b>400</b>	127.5	33.7	1.3	0.9	123.9	32.7	6.5	4.8	123.0	32.5	9.6	7.0	122.1	32.3	12.5	9.2	121.2	32.0	15.5	11.4	52.0	114.6
<b>450</b>	143.2	37.8	1.4	1.1	139.2	36.8	7.3	5.4	138.2	36.5	10.8	7.9	137.2	36.2	14.1	10.3	136.2	36.0	17.5	12.8		
<b>500</b>	157.5	41.6	1.6	1.2	151.8	40.1	8.0	5.9	150.6	39.8	11.7	8.6	149.4	39.5	15.3	11.3	148.2	39.2	19.0	14.0		
<b>550</b>	170.0	45.0	1.7	1.2	162.7	43.0	8.6	6.3	161.3	42.6	12.6	9.2	159.9	42.2	16.4	12.1	158.5	41.9	20.3	14.9		



Versioni Versions

Applicazioni Shaft adaptors

**TS 2C** cod. 822200



Applicazioni motori  
idraulici  
Shaft adaptors for hydraulic  
motor



MI  $\Delta$   
vedi pag 94 see page 94

Gruppi regolazione pressione Pressure control units

vedi pag 80 see page 80

**ZX**

**VRG 255**

**UHP**

